

**Printer/Scanner Unit Type 3045
(B783)**

Printer/Scanner Unit Type 3045 (B783)

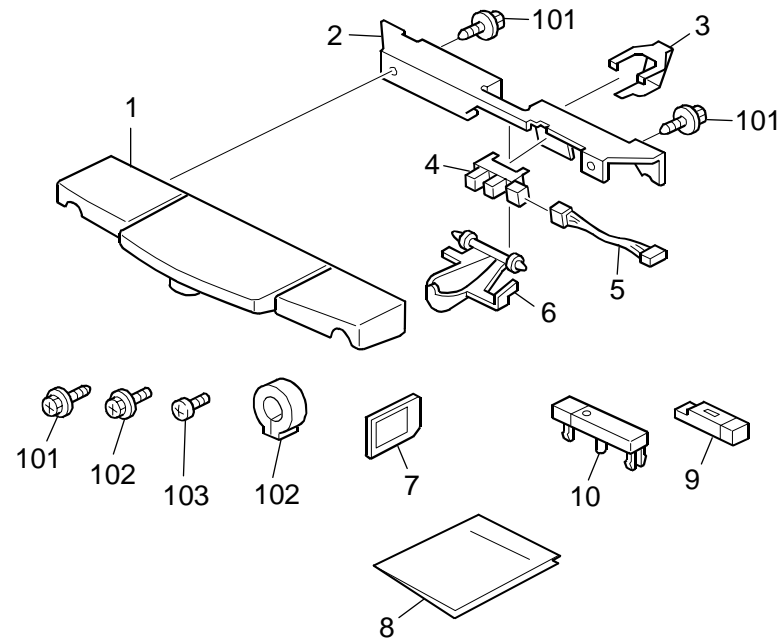
PARTS CATALOG

This catalog gives the numbers and names of parts on this machine.

1.Printer/Scanner Unit (B783).....	2
Parts Index	5

July ,10 ' 2005

1. Printer/Scanner Unit (B783)



1.Printer/Scanner Unit (B783)

Index No.	Part No.	Description	Q'ty Per Assembly
1	B080 4492	Cover:Surface Of Paper Sensor	1
2	B080 4493	Bracket:Surface Of Paper Sensor	1
3	B007 4497	Bracket:Plate:Feeler	1
4	AW02 0056	Photointerruptor - EE-SX4235A-P1	1
5	A235 5410	Relay Sensor Harness	1
6	A235 4496	Sensor Actuator	1
7	B783 5671	Sd-card:Printer/Scanner	1
8	B783 7512	Operating Instructions:Printer	1
9	AW01 0106	Paper Feed Sensor	1
10	B548 6358	Keytop:Printer:NA	1
10	B548 6359	Keytop:Scanner:NA	1
10	B548 6368	Keytop:Printer:EU	1
10	B548 6369	Keytop:Scanner:EU	1

Index No.	Part No.	Description	Q'ty Per Assembly
101	0450 3008N	Tapping Screw - M3x8	
102	1607 1715	Ferrite Core:RFC-5	
103	0452 3008Z	Bind Tapping Screw - M3x8	

Parts Index

Parts Index

Part No.	Description	Page and Index No.
B783 5671	Sd-card:Printer/Scanner	3 - 7
B783 7512	Operating Instructions:Printer	3 - 8

Part No.	Description	Page and Index No.
A235 4496	Sensor Actuator	3 - 6
A235 5410	Relay Sensor Harness	3 - 5
B007 4497	Bracket:Plate:Feeler	3 - 3
B080 4492	Cover:Surface Of Paper Sensor	3 - 1
B080 4493	Bracket:Surface Of Paper Sensor	3 - 2
B548 6358	Keytop:Printer:NA	3 - 10
B548 6359	Keytop:Scanner:NA	3 - 10
B548 6368	Keytop:Printer:EU	3 - 10
B548 6369	Keytop:Scanner:EU	3 - 10

Part No.	Description	Page and Index No.
AW01 0106	Paper Feed Sensor	3 - 9
AW02 0056	Photointerruptor - EE-SX4235A-P1	3 - 4

Part No.	Description	Page and Index No.
0450 3008N	Tapping Screw - M3x8	3 - 101
0452 3008Z	Bind Tapping Screw - M3x8	3 - 103
1607 1715	Ferrite Core:RFC-5	3 - 102